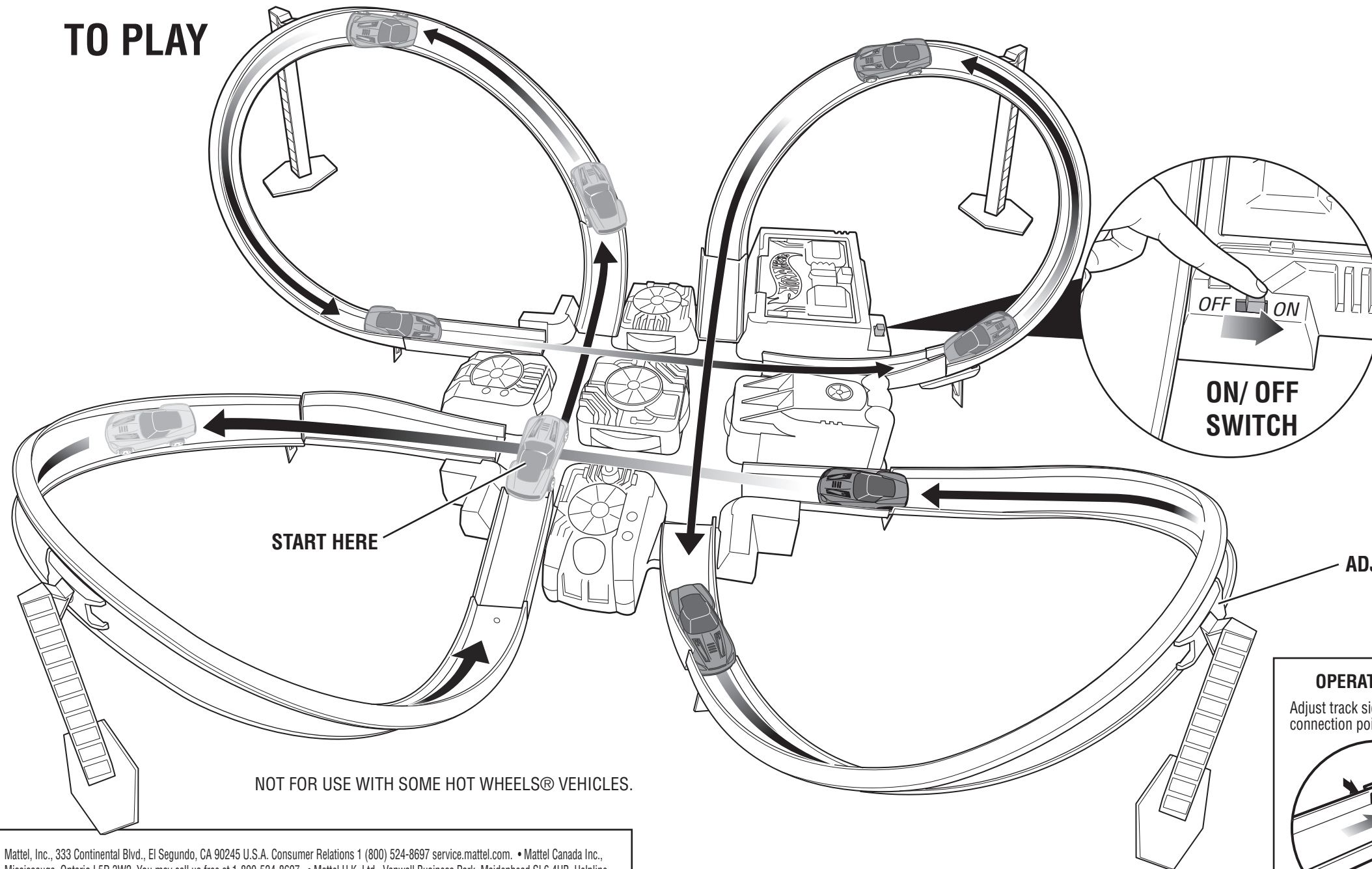


TO PLAY



START HERE

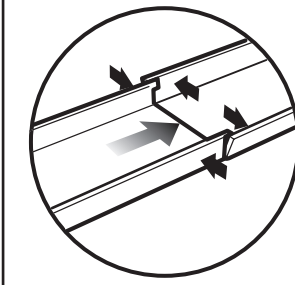
ON/OFF SWITCH

ADJUSTABLE

NOT FOR USE WITH SOME HOT WHEELS® VEHICLES.

OPERATING TIPS

Adjust track side walls at each connection point as shown.



TO STABILIZE SET: On carpet, use books. On smooth floor, tape base to surface.

Mattel, Inc., 333 Continental Blvd., El Segundo, CA 90245 U.S.A. Consumer Relations 1 (800) 524-8697 service.mattel.com. • Mattel Canada Inc., Mississauga, Ontario L5R 3W2. You may call us free at 1-800-524-8697. • Mattel U.K. Ltd., Vanwall Business Park, Maidenhead SL6 4UB. Helpline 01628500303 • Mattel Australia Pty., Ltd., Richmond, Victoria. 3121. Consumer Advisory Service - 1300 135 312. • Mattel East Asia Ltd., Room 1106, South Tower, World Finance Centre, Harbour City, Tsimshatsui, HK, China. • Diimport & Diedarkan Oleh: Mattel SEA Ptd Ltd. (993532-P) Lot 13.5, 13th Floor, Menara Lien Hoe, Persiaran Tropicana Golf Country Resort, 47410 PJ. Tel:03-78803817, Fax:03-78803867.



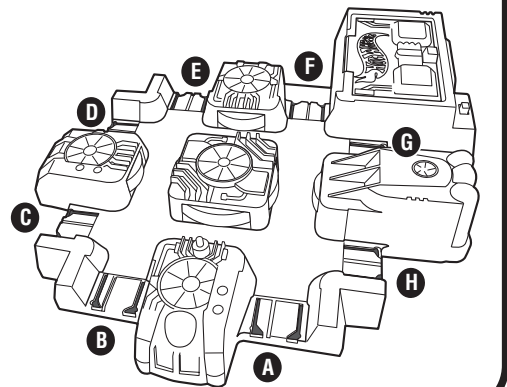
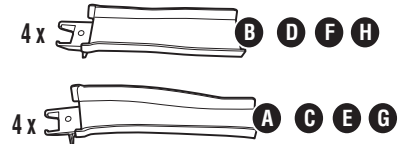
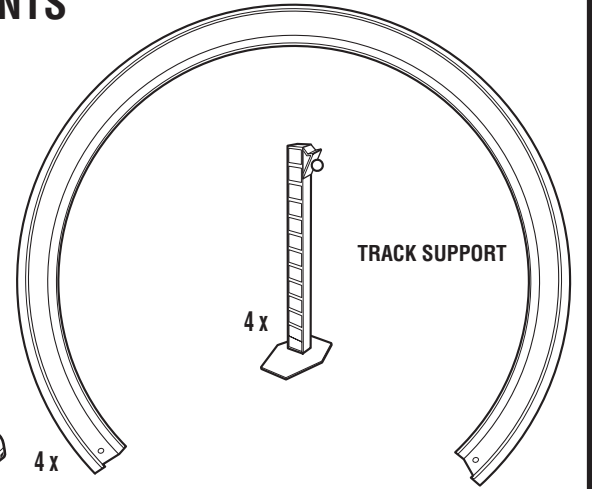
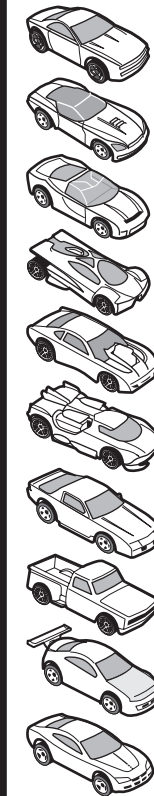
K7671-0920 G1

INSTRUCTIONS

5+

Please keep these instructions for future reference as they contain important information.

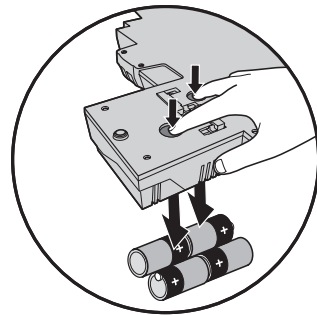
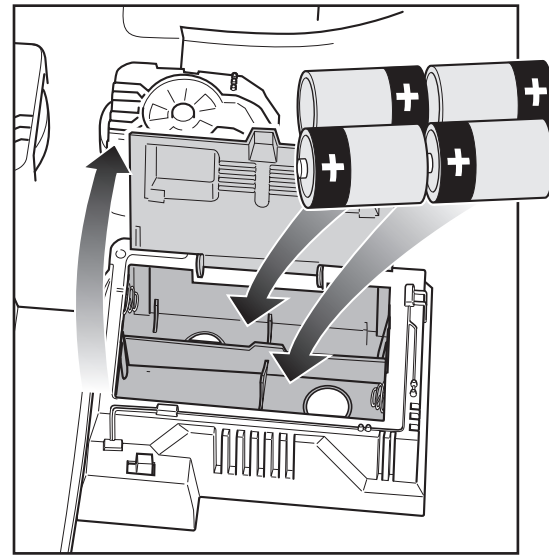
CONTENTS



Requires 4 "D" (LR20) alkaline batteries (not included).

INSTALL BATTERIES:

Press in tab on battery door and pull upward to open front of compartment. Insert 4 "D" size alkaline batteries (not included) as shown. Close cover. For longer life use only alkaline batteries.



Push fingers through holes on bottom to remove batteries.

Battery Safety Information

In exceptional circumstances batteries may leak fluids that can cause a chemical burn injury or ruin your product. To avoid battery leakage:

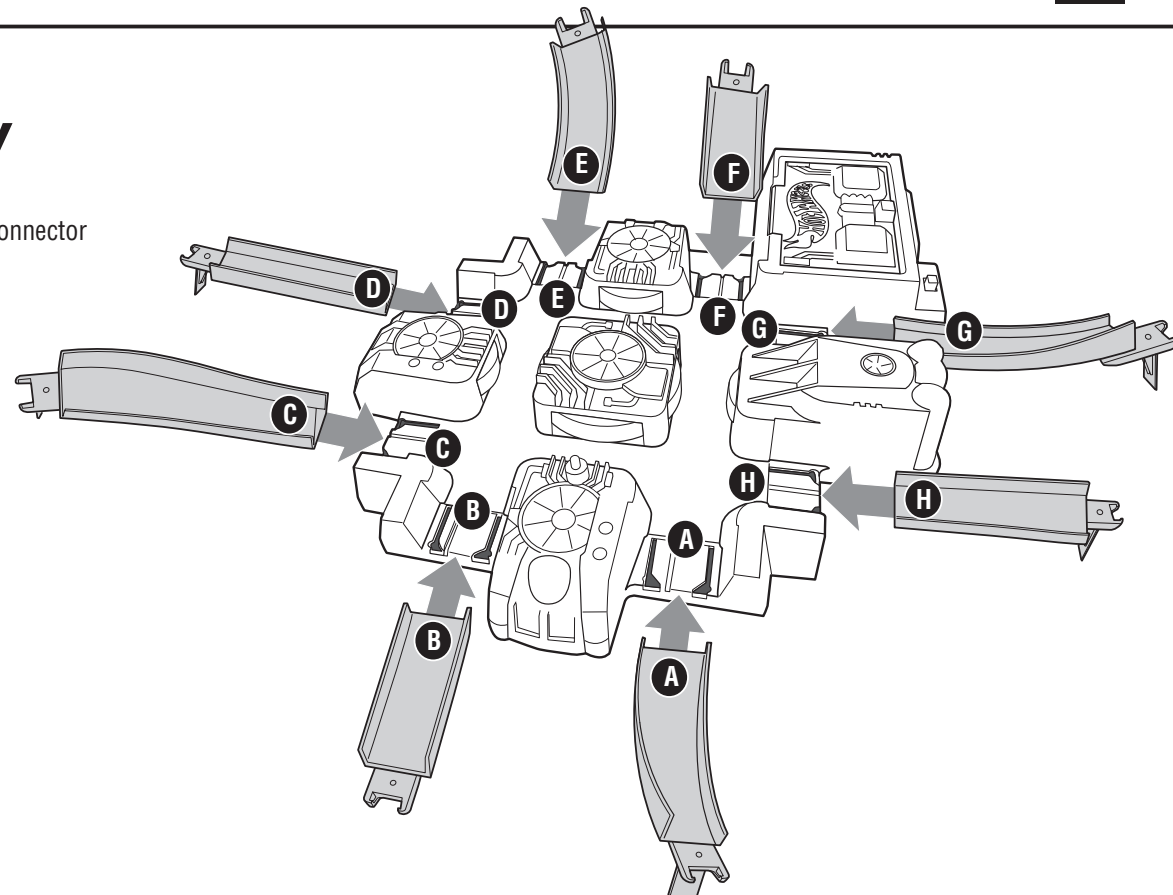
- Non-rechargeable batteries are not to be recharged.
- Rechargeable batteries are to be removed from the product before being charged (if designed to be removable).
- Rechargeable batteries are only to be charged under adult supervision (if designed to be removable).
- Do not mix alkaline, standard (carbon-zinc), or rechargeable (nickel-cadmium) batteries.
- Do not mix old and new batteries.
- Only batteries of the same or equivalent type as recommended are to be used.
- Batteries are to be inserted with the correct polarity.
- Exhausted batteries are to be removed from the product.
- The supply terminals are not to be short-circuited.
- Dispose of battery(ies) safely.
- Do not dispose of this product in a fire. The batteries inside may explode or leak.



Protect the environment by not disposing of this product with household waste [2002/96/EC]. Check your local authority for recycling advice and facilities.

ASSEMBLY

1. Attach each part at connector locations as shown.



Refer to letters on parts and contents page to help with assembly.

2.

Connect track supports to back of track connectors as shown.

Slide track in as shown.

